

25

COMPASS
BUYER'S GUIDE



DEP

Jeep®



Jeep® Compass capability shines in every capacity ... with Trail Rated® performance badges to prove it. This is a Jeep that's comfortable navigating the twists and turns of everyday life but also pushes navigation map boundaries. Compass offers Jeep® Brand skills like controlled traction, water fording,* manoeuvrability, articulation and ground clearance. Advanced driving assist systems serve up a new level of driving autonomy, and brilliant digital displays deliver cutting-edge connectivity, entertainment and information. This Jeep exterior provides stunning, landscape-worthy views, while its interior caters to all the senses. With Jeep Compass, you'll reach higher elevations in every part of your world.



Properly secure all cargo.



*A note about this brochure: all disclosures can be found on the last page.



Properly secure all cargo.

The 10.25-inch, frameless, digital, full-colour Driver Information Display (DID) allows you to customize the contents of up to 24 screens. Available.

The unique 10.1-inch radio shines within a very modern interior. Available.

The Jeep® Brand steering wheel offers a compact design with fingertip controls for communication, entertainment and vehicle data.²

Elegant door panels add a sleek, sophisticated appearance.

The raised centre console takes function and style to the next level, offering deep storage cubbies and an available wireless charging pad.

Enjoy standard heated front seats and /or the available ventilated front seats and heated steering wheel.

COMMANDING VIEWS

USER-FRIENDLY DESIGN allows access to the very latest tech, so you're always in touch and in control. The available Uconnect® 5 NAV Infotainment System with a 10.1-inch touchscreen stands as a focal point. The large, optional, 10.25-inch, digital, full-colour DID can be customized to show vehicle speed, navigation³ data, outside temperature, tire pressure monitoring and more. Compass offers seamless connectivity with wireless Apple CarPlay⁴ support and Android Auto^{TM4} compatibility, Alexa Built-In⁵ services, and the full range of Jeep® Connect⁶ navigation,³ entertainment, and safety and security features. Plus, an available wireless charging pad adds welcome function to the raised centre console with its large cubby storage bin. The base of all these operations begins from the standard heated front seats and /or the available ventilated front seats and heated steering wheel.

Limited McKinley perforated leather-faced interior in Black
Android Auto^{TM4} shown on touchscreen.

Properly secure all cargo.



A SMART OPENING MOVE



Limited with Elite Group in Silver Zynith Metallic. Properly secure all cargo.

LOADS OF OPTIONS

Whatever your plans, Jeep® Compass is always flexible. Its available, motion-activated Open 'n Go rear liftgate conveniently opens by simply swiping your foot under the rear bumper, freeing up your hands to load in packages, bags or boxes into the cargo area. Thoughtful interior design includes a configurable 60 / 40 split-folding rear seat that easily converts to carry people, cargo and gear according to your needs. The height-adjustable rear cargo floor can lower to accommodate tall items or raise up for easy slide-in loading.



Properly secure all cargo.



GO ANYWHERE, DO ANYTHING[®]

THE TWO AUTHENTIC JEEP[®] BRAND 4x4 SYSTEMS can send up to 100 percent of available torque to any one wheel, helping to ensure your command over any terrain. With the help of a rear-axle disconnect, these systems can actively transition from 4x4 into fuel-saving Front-Wheel Drive (FWD), delivering both efficiency and capability when you need it.

JEEP[®] ACTIVE DRIVE You'll automatically enjoy seamless operations in and out of 4x4 mode at any speed with the rear-axle disconnect. Jeep[®] Active Drive also includes brake traction control that works to maintain a balanced torque distribution, helping this system deliver an easy-to-use, all-weather boost in capability. Standard on all models.



JEEP ACTIVE DRIVE LOW is exclusively featured on Trailhawk[®] with a single-speed Power Transfer Unit (PTU) that offers torque management and 4x4 Low mode. When in Low, the system delivers additional power at low speeds, giving you the ability to crawl over boulders with confidence, thanks to a 25.4-mm (1-inch) increase in ride height and a crawl ratio of 20:1.



JEEP[®] COMPASS 4x4 SYSTEMS



Trailhawk[®] in Bright White

Trailhawk in Bright White



LIMITED

STANDARD

CAPABILITY

- 2.0L Turbo I-4 engine
- 8-speed automatic transmission, 200 hp and 221 lb-ft of torque
- Jeep® Active Drive full-time 4x4 system with disconnecting rear axle
- Selec-Terrain® Traction Management System

EXTERIOR

- Black-painted roof
- Chrome daylight opening (DLO) mouldings, chrome grille rings, body-colour door handles and Black lower cladding
- Black roof rails, fog lamp bezels, and front and rear lower appliques
- Deep-tint sunscreen glass
- Auto High-Beam Headlamp Control
- Automatic LED headlamps with off-time delay and daytime running lamps (DRLs)
- Front fog and cornering lamps
- Power-adjusting, heated, manual-folding exterior mirrors in Black with bright accents and turn signals
- 225 / 55R18 BSW All-Season tires
- Windshield wiper de-icer
- Compact spare tire

INTERIOR

- Leather-wrapped, heated steering wheel with mounted audio and cruise controls
- Heated front seats
- 6 speakers
- Uconnect® 5 Infotainment System with 10.1-inch touchscreen
- Apple CarPlay® support
- Auto-dimming rearview mirror
- Android Auto™ compatibility
- Integrated Voice Command² with wireless connectivity
- SiriusXM³ including 6-month trial subscription
- Air conditioning with Dual-Zone Automatic Temperature Control, including humidity sensor and premium air filter
- 7-inch, full-colour Driver Information Display (DID)
- Ambient LED interior lighting
- 2 12-volt auxiliary power outlets
- Power 8-way driver's seat with power 2-way lumbar adjust and manual 6-way front-passenger seat
- 60 / 40 split-folding rear seats and centre armrest with cup holders and 3 rear-seat head restraints⁸

STANDARD (continued)

SAFETY & SECURITY

- Rain Brake Support and Electric Park Brake
- Remote Start System
- Security alarm⁷
- ParkView® Rear Back-Up Camera¹⁰ with Active Grid Lines
- Remote proximity keyless entry
- Front-seat active headrests⁸
- Child Seat Anchor System – LATCH-ready
- 7 air bags⁹ with advanced multistage front, full-length side-curtain, front-seat-mounted side and driver's knee bolster
- Hill Start Assist
- Park-Sense® Rear Park Assist System¹⁰
- Blind-Spot Monitoring¹⁰ with Rear Cross-Path Detection¹⁰ Systems
- Rain-sensitive / intermittent windshield wipers
- Active Lane Management System¹⁰
- Forward Collision Warning with Automatic Emergency Braking¹⁰
- Pedestrian / Cyclist Emergency Braking¹¹
- Drowsy-Driver Detection¹⁰
- Rear-Seat Reminder Alert

AVAILABLE

ELITE GROUP: Diamond Black door cladding, wheel flares, fascias and side sills; LED low- / high-beam projector headlamps; premium LED fog lamps with cornering; premium LED taillamps; 19-inch Diamond-Cut aluminum wheels with Gloss Black pockets; 235 / 45R19 BSW All-Season tires; premium perforated leather-faced seats with ventilated driver's and front-passenger seats; driver's-seat memory; power 8-way driver's and front-passenger seats with power 2-way lumbar adjust; foot-activated Open 'n Go liftgate; Uconnect 5 NAV with 10.1-inch touchscreen, GPS Navigation; HD radio, Jeep Connect® (3-month trial subscription) with 4G LTE Wi-Fi Hotspot¹³ (3-month / 1GB of data trial, whichever comes first), SiriusXM with 360L¹² (6-month trial subscription), Alexa Built-In⁵ and Connected Traffic & Travel Services¹⁵; 10.25-inch, digital, full-colour DID; 2nd-row Type-C USB port; and reversible carpet / vinyl cargo mat

AVAILABLE (continued)

SUN AND SOUND GROUP: Dual-Pane Panoramic Power Sunroof and Alpine® Premium Sound System

DRIVER ASSISTANCE GROUP I: Wireless charging pad, 10.25-inch, digital, full-colour DID, Adaptive Cruise Control with Stop and Go¹⁰, Park-Sense Front and Rear Park Assist System¹⁰, 360° Surround-View Camera System¹⁴, Parallel and Perpendicular Park and Unpark Assist System¹⁰, Traffic Sign Recognition¹⁵ and Highway Assist System¹⁶



McKinley leather-faced seats with Steel Grey accent stitching — Black/Grey and Black/Sepia (standard)



Ventilated McKinley leather-faced seats with Bright Blue accent stitching — Black/Grey (available with Elite Group)



18-inch painted Diamond-Cut aluminum wheels (standard)



19-inch Diamond-Cut aluminum wheels with Gloss Black pockets (available with Elite Group)



Limited in Diamond Black Crystal Pearl



TRAILHAWK®

STANDARD

CAPABILITY

- 2.0L Turbo I-4 engine
- 8-speed automatic transmission, 200 hp and 221 lb-ft of torque
- Jeep® Active Drive Low full-time 4x4 system with disconnecting rear axle and 4x4 Low Mode for a 20:1 crawl ratio
- Selec-Terrain® Traction Management System with Rock Mode
- Hill Descent Control
- Off-road suspension

EXTERIOR

- 25.4-mm (1-inch) increased height and rugged lower front and rear cladding
- Skid plates for fuel tank, transmission, transfer case and suspension
- Auto High-Beam Headlamp Control
- Black-painted roof and Black hood decal
- Deep-tint sunscreen glass
- Neutral Grey daylight opening (DLO) mouldings, Black roof rails, fog lamp bezels, front and rear lower appliques, and grille rings
- Automatic LED headlamps with off-time delay and daytime running lamps (DRLs)
- Front fog and cornering lamps
- Power-adjusting, heated, manual-folding exterior mirrors in Neutral Grey with turn signals
- 215 / 65R17 BSW All-Season On- / Off-Road tires
- Full-size spare tire
- Windshield wiper de-icer
- Foot-activated Open 'n Go liftgate

INTERIOR

- Air conditioning with Dual-Zone Automatic Temperature Control, including humidity sensor and premium air filter
- Ruby Red and Black interior accents
- 7-inch, full-colour Driver Information Display (DID)
- Uconnect® 5 Infotainment System with 10.1-inch touchscreen
- Apple CarPlay® support
- Android Auto™ compatibility
- Integrated Voice Command² with wireless connectivity
- SiriusXM³, including 6-month trial subscription
- All-season front and rear floor mats

STANDARD (continued)

INTERIOR (continued)

- Media Hub, located in centre stack with remote USB port and auxiliary input jack; 2nd USB port on back of centre console
- 2 12-volt auxiliary power outlets
- Leather-wrapped, heated steering wheel with mounted audio and cruise controls
- Power 8-way driver's seat with power 2-way lumbar adjust and manual 6-way front-passenger seat
- Ambient LED interior lighting
- 60 / 40 split-folding rear seats and centre armrest with cup holders and 3 rear-seat head restraints⁸
- 6 speakers
- Auto-dimming rearview mirror
- Heated front seats

SAFETY & SECURITY

- 7 air bags⁹ with advanced multistage front, full-length side-curtain, front-seat-mounted side and driver's knee bolster
- Hill Start Assist
- Rain Brake Support and Electric Park Brake
- ParkView® Rear Back-Up Camera¹⁰ with Active Grid Lines
- Remote proximity keyless entry
- Front-seat active headrests⁸
- Park-Sense® Rear Park Assist System¹⁰
- Blind-Spot Monitoring¹⁰ with Rear Cross-Path Detection¹⁰ Systems
- Remote Start System
- Rain-sensitive / intermittent windshield wipers
- Security alarm⁷
- Active Lane Management System¹⁰
- Forward Collision Warning with Automatic Emergency Braking¹⁰
- Pedestrian / Cyclist Emergency Braking¹¹
- Drowsy-Driver Detection¹⁰
- Rear-Seat Reminder Alert

AVAILABLE

DRIVER ASSISTANCE GROUP I: Wireless charging pad, 10.25-inch, digital, full-colour DID, Adaptive Cruise Control with Stop and Go¹⁰, Park-Sense Front and Rear Park Assist System¹⁰, 360° Surround-View Camera System¹⁴, Parallel and Perpendicular Park and Unpark Assist System¹⁰, Traffic Sign Recognition¹⁵, Highway Assist System¹⁶ and reversible carpet / vinyl rear cargo mat

TRAILER TOW GROUP: Class III hitch receiver plus 4-pin wiring harness

SUN AND SOUND GROUP: Dual-Pane Panoramic Power Sunroof and Alpine® Premium Sound System

TRAILHAWK® ELITE: Uconnect 5 NAV Infotainment System with 10.1-inch touchscreen, LED low- / high-beam projector headlamps, premium LED taillamps and fog lamps, 10.25-inch, digital, full-colour DID, power-adjustable driver's and front-passenger seats, leather-faced seats, driver's-seat memory, ventilated front seats, Trailer Tow Group, wireless charging pad, Adaptive Cruise Control with Stop and Go¹⁰, Highway Assist System¹⁶, Traffic Sign Recognition¹⁵, Park-Sense Front and Rear Park Assist System¹⁰, reversible carpet / vinyl rear cargo mat, 360° Surround-View Camera System¹⁴, and Parallel and Perpendicular Park and Unpark Assist System¹⁰



McKinley leather-faced and Spectre cloth seats with embroidered Trailhawk® logo and Ruby Red and Tungsten dual accent stitching — Black (standard)



Ventilated McKinley leather-faced seats with embroidered Trailhawk logo and Ruby Red and Tungsten dual accent stitching — Black (available with Trailhawk Elite)



17-inch Diamond-Cut aluminum wheels with Satin Black pockets (standard)



Trailhawk® in Silver Zynith Metallic



NORTH

STANDARD

CAPABILITY

- 2.0L Turbo I-4 engine
- 8-speed automatic transmission, 200 hp and 221 lb-ft of torque
- Jeep® Active Drive full-time 4x4 system with disconnecting rear axle
- Selec-Terrain® Traction Management System

EXTERIOR

- Chrome daylight opening (DLO) mouldings, chrome grille rings, body-colour door handles and Black lower cladding
- Black roof rails and fog lamp bezels
- Auto High-Beam Headlamp Control
- Deep-tint sunscreen glass
- Automatic LED headlamps with off-time delay and daytime running lamps (DRLs)
- Front fog and cornering lamps
- Power-adjusting, heated, manual-folding exterior mirrors in Gloss Black
- 225 / 60R17 BSW All-Season tires
- Windshield wiper de-icer
- Compact spare tire

INTERIOR

- Gun Metal / Black interior accents
- Heated front seats
- Air conditioning and premium air filter
- Media Hub, located in centre stack with remote USB port and auxiliary input jack; 2nd USB port on back of centre console
- Leather-wrapped, heated steering wheel with mounted audio and cruise controls
- 2 12-volt auxiliary power outlets
- Ambient LED interior lighting

STANDARD (continued)

INTERIOR (continued)

- All-weather floor mats
- Manual 6-way driver's / front-passenger seats, including driver's height adjuster
- 60 / 40 split-folding rear seats and centre armrest with cup holders and 3 rear-seat head restraints⁹
- 6 speakers
- Uconnect® 5 Infotainment System with 8.4-inch touchscreen
- Apple CarPlay⁴ support
- Android Auto™ compatibility
- 7-inch, full-colour Driver Information Display (DID)
- Integrated Voice Command² with wireless connectivity
- SiriusXM¹² including 6-month trial subscription

SAFETY & SECURITY

- 7 air bags⁹ with advanced multistage front, full-length side-curtain, front-seat-mounted side and driver's knee bolster
- Remote Start System
- Hill Start Assist
- Rain Brake Support and Electric Park Brake
- ParkView® Rear Back-Up Camera¹⁰ with Active Grid Lines
- Remote proximity keyless entry
- Front-seat active headrests⁸
- Rain-sensitive / intermittent windshield wipers
- Rear-Seat Reminder Alert
- Security alarm⁷
- Forward Collision Warning with Automatic Emergency Braking¹⁰
- Active Lane Management System¹⁰
- Pedestrian / Cyclist Emergency Braking¹¹
- Drowsy-Driver Detection¹⁰

AVAILABLE

DRIVER ASSISTANCE GROUP: Wireless charging pad, premium LED fog lamps, Adaptive Cruise Control with Stop and Go,¹⁰ Park-Sense® Front and Rear Park Assist System,¹⁰ 360° Surround-View Camera System,¹⁴ Parallel and Perpendicular Park and Unpark Assist System,¹⁰ and Blind-Spot Monitoring¹⁰ with Rear Cross-Path Detection¹⁰ Systems

SUN AND SOUND GROUP: Dual-Pane Panoramic Power Sunroof and Alpine® Premium Sound System

CONVENIENCE GROUP: Power driver's seat, foot-activated Open 'n Go liftgate, auto-dimming rearview mirror, air conditioning with Dual-Zone Automatic Temperature Control, 10.25-inch, digital, full-colour DID, reversible carpet / vinyl rear cargo mat and Uconnect 5 NAV Infotainment System with 10.1-inch touchscreen

ALTITUDE SPECIAL EDITION: Piano Black interior accents, Neutral Grey exterior badging, Black grille with Neutral Grey rings, Black DLO mouldings, 10.25-inch, digital, full-colour DID, Uconnect 5 NAV Infotainment System with 10.1-inch touchscreen, power driver's seat, Black Addax vinyl-wrapped instrument panel mid-bolster, Light Tungsten interior accent stitching, 18-inch Gloss Black-painted aluminum wheels and 225 / 55R18 BSW All-Season tires



McKinley vinyl and Kimberlite cloth seats with Bright Blue accent stitching — Black (standard)



McKinley vinyl and Kimberlite cloth seats — Black (standard on Altitude Special Edition)



17-inch Fine Silver-painted aluminum wheels (standard)



18-inch Gloss Black-painted aluminum wheels (standard on Altitude Special Edition)



Altitude Special Edition in Diamond Black Crystal Pearl



North in Silver Zynith Metallic

SPORT

STANDARD

CAPABILITY

- 2.0L Turbo I-4 engine
- 8-speed automatic transmission, 200 hp and 221 lb-ft of torque
- Jeep® Active Drive full-time 4x4 system with disconnecting rear axle
- Selec-Terrain® Traction Management System

EXTERIOR

- Black door handles and lower cladding
- Bright daylight opening (DLO) mouldings
- Deep-tint sunscreen glass
- Black grille surround with chrome rings
- Automatic LED headlamps with off-time delay and daytime running lamps (DRLs)
- Cruise control
- Power-adjusting, heated, manual-folding exterior mirrors in Black
- 17-inch 225 / 60R17 BSW All-Season tires
- Compact spare tire
- Power front windows, 1-touch up and down
- Removable short-mast antenna

INTERIOR

- Gun Metal / Black interior accents
- Heated front seats
- Air conditioning
- Driver's and passenger assist handles, with coat hooks for rear passengers
- Cargo area tie-down loops and lamp
- Black headliner

STANDARD (continued)

INTERIOR (continued)

- Height-adjustable load floor with 3-position adjustment
- 7-inch, full-colour Driver Information Display (DID)
- Overhead console with reading lamps
- Front and rear floor mats
- Media Hub, located in centre stack with remote USB port and auxiliary input jack; 2nd USB port on back of centre console
- Media Centre electronics storage
- 2 12-volt auxiliary power outlets
- Speed-sensitive power door locks
- Electric power steering
- Steering wheel with mounted audio and cruise controls
- Manual 6-way driver's / front-passenger seats, including driver's height adjuster
- Front-passenger fold-forward seat
- 60 / 40 split-folding rear seats and centre armrest with cup holders and 3 rear-seat head restraints⁸
- 6 speakers
- Uconnect® 5 Infotainment System with 8.4-inch touchscreen
- Integrated Voice Command² with wireless connectivity
- Apple CarPlay⁴ support
- Android Auto™ compatibility
- SiriusXM², including 6-month trial subscription

STANDARD (continued)

SAFETY & SECURITY

- 7 air bags⁹ with advanced multistage front, full-length side-curtain, front-seat-mounted side and driver's knee bolster
- Hill Start Assist
- Battery rundown protection
- Rain Brake Support and Electric Park Brake
- Front-seat active headrests⁸
- ParkView® Rear Back-Up Camera¹⁰ with Active Grid Lines
- Remote Keyless / Illuminated Entry with push-button start
- Child Seat Anchor System – LATCH-ready
- Rain-sensitive / intermittent windshield wipers
- Rear-Seat Reminder Alert
- Security alarm⁷
- Forward Collision Warning with Automatic Emergency Braking¹⁰
- Pedestrian / Cyclist Emergency Braking¹¹
- Drowsy-Driver Detection¹⁰



Sedoso and Kimberlite cloth seats with Bright Blue accent stitching – Black (standard)



17-inch Fine Silver-painted aluminum wheels (standard)



Sport in Bright White



COLOURS



Hydro Blue Pearl



Joose (limited availability)



Bright White



Diamond Black Crystal Pearl



Red Hot Pearl



Silver Zynith Metallic

SPECIFICATIONS

ENGINE	HORSEPOWER	TORQUE
2.0L Direct-Injection (DI) Turbo I-4 with Engine Stop / Start (ESS) Technology	200 hp @ 5000 rpm	221 lb-ft @ 1750 - 4250 rpm
Fuel System	DI	
Fuel Economy, ¹⁷ L/100 km (city/hwy/combined)	9.9/7.4/8.8	

TRANSMISSION	
8-speed automatic	Standard
Jeep [®] Active Drive, single-speed Four-Wheel Drive (4WD)	Standard
Jeep Active Drive Low, single-speed (4WD)	Standard on Trailhawk [®]

CAPACITY & WEIGHTS	
Fuel Tank, L (gal)	51 (13.5)
Curb Weight, kg (lb)	1642 (3620)
Towing Weight (when properly equipped, maximum kg (lb))	907 (2000)

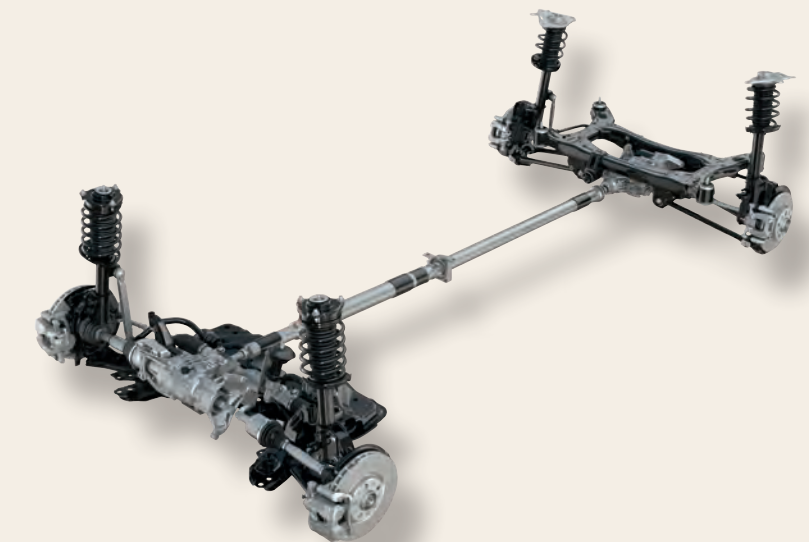
EXTERIOR DIMENSIONS (mm (inches) unless otherwise specified)	JEEP [®] ACTIVE DRIVE 4x4	JEEP ACTIVE DRIVE LOW 4x4
Wheelbase	2636 (103.7)	2636 (103.7)
Overall Length	4404 (173.3)	4404 (173.3)
Overall Width (with mirrors extended)	2033 (80)	2033 (80)
Height (with roof rails)	1647 (64.8)	1647 (64.8)
Front Track	1542 (60.7)	1542 (60.7)
Rear Track	1532 (60.3)	1532 (60.3)
Ground Clearance	207 (8.1)	219 (8.6)
Approach Angle with Air Dam (degrees)	16.1°	30.4°
Departure Angle (degrees)	31.4°	34°
Breakover Angle (degrees)	22.5°	23.6°
Water Fording, ¹ mm (inches)	406.4 (16)	482.6 (19)

INTERIOR DIMENSIONS (mm (inches) unless otherwise specified, front/rear)	
Seating Capacity (max occupants; front /rear)	2/3 adults
Headroom (without sunroof)	995 (39.2) / 981 (38.6)
Headroom (with sunroof)	981 (38.6) / 978 (38.5)
Legroom	1086 (41.1) / 973 (38.3)
Shoulder Room	1439 (56.6) / 1400 (55.1)
Hip Room	1375 (54.1) / 1250 (49.2)
SAE Cargo Volume, L (cu ft)	
— Rear seats up	770 (27.2)
— Rear seats folded	1693 (59.8)

SUSPENSION / STEERING / BRAKES	
Front Suspension	MacPherson strut, coil springs, flat-front steel crossmember, high-strength steel double-shell lower control stabilizer bar
Rear Suspension	Chapman strut, high-strength steel links, isolated steel rear cradle, coil springs, stabilizer bar
Steering	Electric power, rack and pinion
Overall Ratio (:1)	15.7
Turns (lock-to-lock)	
— 4x4	2.68
— Trailhawk 4x4	2.76
Turning Diameter (curb-to-curb), m (ft)	
— 4x4	11 (36.3)
— Trailhawk 4x4	10.7 (35.3)
Brake System	
— Front	12 x 1.1 vented rotor with 2.36 single-piston floating caliper
— Rear	10.95 x 0.47 solid rotor with 1.5 single-piston floating caliper



Limited with Elite Group in Silver Zynith Metallic



ADVENTURE AWAITS

BUILD YOURS >



ABOUT THIS CATALOGUE. Since the time of publishing, some of the information you'll find in this catalogue may have been updated. Ask your retailer for details. Some of the equipment shown or described throughout this catalogue is available at extra cost. Specifications, descriptions, illustrative materials and all competitive comparisons contained herein are as accurate as known at the time this publication was approved for printing. FCA Canada Inc. reserves the right to make changes at any time without notice and without incurring obligation. For the price of the model with the equipment you desire or verification of specifications contained herein, see your Chrysler, Jeep, Dodge, Ram, Wagoneer and FIAT retailer. ©2024 FCA Canada Inc. All Rights Reserved. Chrysler, Dodge, Jeep, Ram, Wagoneer, Mopar, SRT, Altitude, the Jeep grille, Compass, Go Anywhere, Do Anything, Mopar Vehicle Protection, Park-Sense, ParkView, Selec-Terrain, Trailhawk, Trail Rated and Uconnect are registered trademarks, and Jeep Active Drive and Jeep Active Drive Low are trademarks of FCA US LLC. FIAT is a registered trademark of FCA Group Marketing S.p.A., used under licence by FCA US LLC.

Alpine and the Alpine logo are registered trademarks of Alpine Electronics, Inc. Amazon, Alexa and all related logos and marks are trademarks of Amazon.com, Inc. or its affiliates. Cummins is a registered trademark of Cummins, Inc. Facebook is a registered trademark of Meta Platforms, Inc. Google, Android, YouTube and Android Auto are trademarks of Google LLC. Instagram is a registered trademark of Instagram, Inc. iPhone and Siri are registered trademarks and Apple CarPlay is a trademark of Apple Inc. All rights reserved. ©2024 SiriusXM Canada Inc., "SiriusXM," SiriusXM Guardian, the SiriusXM logo, channel names and logos are trademarks of SiriusXM Radio Inc. and are used under licence. The X service marks (formerly Twitter) are the intellectual property of X Corp.

MOPAR VEHICLE PROTECTION. FCA Canada Inc. has a vested interest in your satisfaction and owner experience with your new vehicle. Mopar Vehicle Protection offers extended service and maintenance plans to help ensure you'll enjoy your vehicle for many years down the road — for just pennies a day. For more information on comprehensive vehicle coverage, see your local Chrysler, Jeep, Dodge, Ram, Wagoneer and FIAT retailer or call (800) 465-2001.

WARRANTIES. 2025 Chrysler, Jeep, Dodge, Ram, Wagoneer and FIAT vehicles are backed by a 5-year or 100,000-kilometre fully transferable Powertrain Limited Warranty* with \$0 deductible plus 24-hour roadside assistance.† SRT vehicles are backed by a 3-year or 60,000-kilometre fully transferable Powertrain Limited Warranty* with \$0 deductible plus 24-hour roadside assistance. Basic Warranty coverage is for 3 years or 60,000 kilometres.† Rust-through coverage on all body sheet metal is for 3 years. The Cummins Turbo Diesel engine is protected by a separate Limited Warranty, covering the engine for 5 years or 160,000 kilometres.† The EcoDiesel engine is backed by a 5-year or 100,000-kilometre fully transferable Powertrain Limited Warranty* with \$0 deductible plus 24-hour roadside assistance.†

*Whichever comes first. Some conditions may apply. †The 5-Year/100,000-Kilometre Powertrain Limited Warranty does not apply to vehicles sold for certain commercial uses. See your retailer for full details.

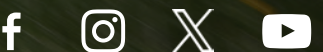
1) Do not attempt water fording unless depth is known and consistent with the vehicle's water fording rating in the Owner's Manual. Traversing water can cause damage that may not be covered by the new vehicle warranty. Always off-road responsibly in approved areas. 2) Driving while distracted can result in loss of vehicle control. Only use mobile phones and other devices, even with voice commands, when it is safe to do so. 3) Never program while driving. GPS mapping and 3D navigation may not be detailed or available in all areas or reflect current road regulations. 4) Driving while distracted can result in loss of vehicle control. Only use mobile phones and other devices, even with voice controls, when it is safe to do so. Requires compatible iPhone. See retailer for phone compatibility. Data plan rates apply. Wireless use of Android Auto requires a compatible Android 11+ phone and compatible active data plan. Check g.co/androidauto/requirements for compatibility. 5) Vehicle must be properly equipped with a Uconnect 5 NAV system. Requires a Wi-Fi Hotspot data plan and linked Amazon account to run Alexa in the vehicle. 6) All vehicles properly equipped to receive connected services come with a three-month trial of Assistance Package or Assistance + Navigation Package (if equipped), five years of Vehicle Performance Package, and 10 years of Safety and Security Package effective from the date of purchase or lease of a new vehicle. Enrolment in trial is required to receive services. Upon expiration of trial period, purchase of a subscription is required to continue or renew services. Services are available on equipped vehicles purchased within the United States, Canada and Puerto Rico. Services can only be used where cellular coverage is available. See the applicable Terms of Service for complete terms and conditions (including service limitations) and the Connected Vehicle Privacy Policy. 7) Vehicle must be locked and system activated for alarm to sound. 8) Always sit properly with the head restraint properly adjusted. Never place anything in front of the head restraint. 9) The Advanced Front Air Bags in this vehicle are certified to the Federal regulations for Advanced Air Bags. Children 12 years old and younger should always ride buckled up in a rear seat. Infants in rear-facing child restraints should never ride in the front seat of a vehicle with a passenger front air bag. All occupants should always wear their lap and shoulder belts properly. 10) This is a driver convenience system, not a substitute for active driver involvement. The driver must remain aware of their surroundings and be prepared to take corrective action to avoid collisions. 11) This system is an alert system for the front of the vehicle. It is not a substitute for active driver involvement. The driver must remain aware of traffic conditions and be prepared to use the brakes to avoid collisions. 12) **If you decide to continue service after your trial, the subscription plan you choose will continue and you will be charged according to your chosen payment method at then-current rates unless you cancel your services.** Fees and taxes apply. Some services and features are subject to device capabilities and location availability. Please see the SiriusXM Customer Agreement at www.siriusxm.ca/terms for complete terms and how to cancel, which includes calling SiriusXM at 1-888-539-7474. All fees and programming are subject to change, provided that we will notify you in advance of any price change. We use personal information in accordance with our Privacy Policy, available at www.siriusxm.ca/privacy. 13) Vehicle must be enrolled with Jeep Connect, be in an active and usable cellular range, and have an active subscription. 14) Always check entire surroundings visually before proceeding. 15) Traffic Sign Recognition is not a substitute for safe and attentive driving. Factors including weather and condition of the traffic sign can impact the recognition and display of the sign. Always check traffic signs visually while driving. 16) HAS requires the driver to keep his or her hands on the steering wheel at all times. This system is a driver convenience system, not a substitute for active driver involvement. The driver must remain aware of traffic conditions and maintain control of the vehicle. 17) Based on *EnerGuide* fuel consumption ratings and fuel tank options. Government of Canada test methods used. Your actual fuel consumption will vary based on driving habits and other factors. Ask your retailer for the *EnerGuide* information. Miles per gallon (mpg) ratings based on imperial gallon.

Jeep

THERE'S ONLY ONE

Jeep is a registered trademark of FCA US LLC.

J E E P . C A



800-361-3700