



4C SPIDER



DEP
DEALER PROCESS

PURE MAGNETISM

The very design that so beautifully minimizes drag also manages to create an intense, magical pull; all eyes are helplessly drawn to it. Perfectly embodying the racing and craftsmanship legacy of its maker, the Alfa Romeo 4C Spider performs exactly as it visually promises: behind its wheel, connections among driver, road and car couldn't be stronger.

Contents

INTRODUCTION	2
HISTORY	3
ENGINEERING	4
PERFORMANCE	5
FEATURES	9
STYLE	11
4C SPIDER ITALIA	15
FEATURES	16
WHEELS	18
EXTERIOR COLOURS	19
INTERIOR FABRICS	20

From a long line of sensational

For more than one hundred years, Alfa Romeo has earned its high-performance reputation through daring innovation. With a proven record of European and World Championships, those risks proved valuable on both track and street.



1967

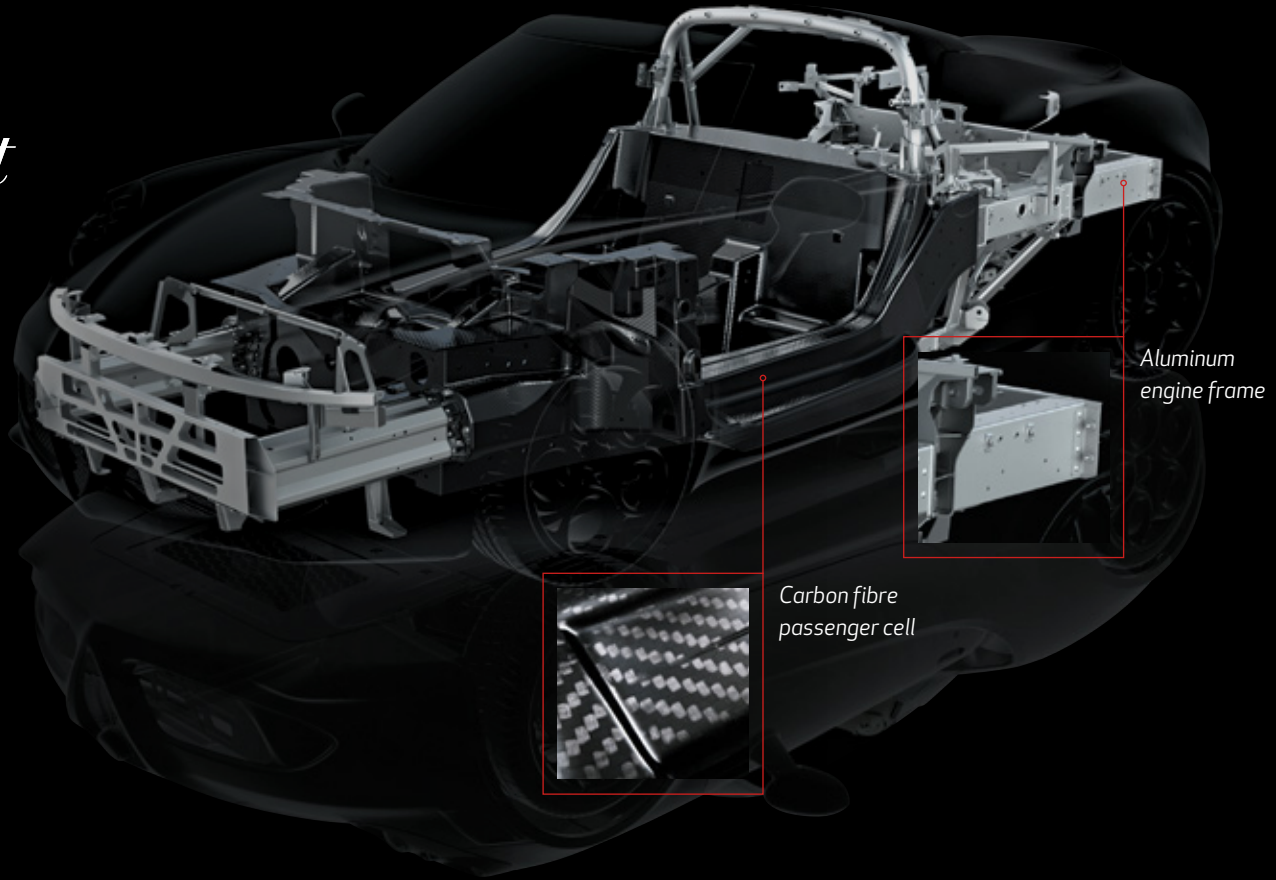
DEP
DEALER ePROCESS

2020

Elements of great performance

Designed in collaboration with the world's foremost racing chassis designers, the Alfa Romeo 4C Spider is innovative at its very core. Supercar DNA runs throughout, including a carbon fibre monocoque chassis, mid-engine design and aluminum subframes.

It begins with the solid foundation of a carbon fibre monocoque chassis. Laid by hand, this carbon fibre is three times stronger and seven times lighter than conventional steel. Front and rear aluminum subframes combine strength with weight-saving technologies. Sheet Moulded Compound (SMC) is used for the outer body and is 20% lighter and more stable than steel — and also resists corrosion. The end result of these advanced technologies is incredible strength and remarkable weight efficiency — the overall curb weight is under 1,130 kg (2,500 lb).



Aluminum engine frame

Carbon fibre passenger cell



Composite body shell





A competitive edge enhanced

OPTIMIZED AIRFLOW Advanced engine technology maximizes torque at low engine speeds and delivers more power in response to driver input. The control unit encourages fresh airflow from intake to exhaust. This improved circulation increases combustion efficiency and turbine speed while reducing turbo lag.

TURBOCHARGER A new-generation turbocharger and a pulse converter exhaust manifold use pressure waves to boost torque at low engine speeds. The microcast steel manifold and turbine operate at very high temperatures (over 538°C [1,000°F]) — enabling low fuel consumption on medium-/high-speed highway trips. The wastegate valve adjusts turbo pressure control logic to suit driving conditions, minimizing pumping losses and maximizing efficiency.

AFTER-RUN PUMP The 4C Spider uses an automatic cool-down system to protect its turbocharger. To prevent stagnating oil and damaging residue, Alfa Romeo has introduced an after-run pump. This electric pump is automatically controlled by the Electronic Control Unit (ECU) and keeps oil circulating through the turbocharger until it has cooled sufficiently.

ALFA TWIN-CLUTCH TRANSMISSION (TCT) The ALFA TCT 6-speed automatic transmission with a twin clutch and paddle shifters combines the instant power of a sequential shift with all the convenience of an automatic. Specially modified for use on the Alfa Romeo 4C Spider, it features control software that ensures the fastest possible gearshifts under all conditions — as quick as 130 milliseconds. Gearshifts are more aggressive in the Dynamic and Race modes, yet are completed in the smoothest way possible on bends to avoid reducing stability.

Be one with the road

The 4C Spider boasts an advanced ride control system, giving every driver extra street smarts.

Race-derived technical solutions optimize performance to deliver unrivalled driving pleasure. At the front, the Alfa Romeo 4C Spider features a double-wishbone configuration that gives direct and unfiltered feedback from the road. At the rear, the advanced MacPherson suspension ensures superb road-holding and driving fun, even during the most extreme manoeuvres. Both front- and rear-suspension systems are made from aluminum and high-strength steel. The high-performance braking system features perforated, self-ventilated discs and Brembo® brake calipers for supreme stopping power. To ensure maximum grip and prevent skidding under all conditions, the 4C Spider is fitted with staggered wheels: 17-inch and 18-inch or available 18-inch and 19-inch, with larger tires on the rear for the best possible handling.



A commanding performance

Numerous features hone and improve each trip in 4C Spider. The four-mode Alfa DNA Pro Drive Mode Selector creates a customized vehicle experience according to driving conditions or desired vehicle responsiveness; choose from its Dynamic, Natural, All-Weather or Race settings.



RACE This is the most extreme performance mode for 4C Spider. By minimizing the intervention of electronic systems, it leaves the driver in complete command. Electronic Stability Control (ESC)^{1*} only intervenes during aggressive driving. Anti-Slip Regulation (ASR) is deactivated under acceleration and braking, while the Alfa Romeo electronic differential control system remains active for fast exits from bends.



NATURAL Designed for everyday use, its gearshift parameters are configured for maximum comfort and smoothness. In this mode, Auto-Up and Auto-Down functions shift at just the right engine speed. The Alfa Romeo electronic differential only cuts in during a significant loss of grip.



DYNAMIC True to its name, this mode helps deliver great driving performance with near-instant accelerator response and reduced gearshift times of up to 25%. The ESC¹ system only intervenes when drift angles put the car at risk.



ALL-WEATHER This mode ensures maximum safety under adverse weather conditions with gentle accelerator response. The ASR system prevents skidding by modifying power to match road speed when there is loss of grip.



* About this brochure: all disclaimers and disclosures can be found on page 22.

The 4C Spider is also fitted with Launch Control for masterful, high-performance standing starts. Launch Control is activated by pressing the brake pedal while pushing the accelerator pedal all the way down and squeezing the paddle on the left of the steering wheel. As soon as you release the brake, the system automatically controls the transmission, traction and power to maximize acceleration.





Alfa Romeo 4C Spider design is a standout in any setting, starting with surroundings that were created specifically for its driver. Front and centre, the 4C Spider informs drivers with clear and precise driving stats from its full-digital instrument cluster — catching the eye with a Thin Film Transistor (TFT) display and available carbon fibre cluster surround. Command is in your hands with the available Sport steering wheel in leather with microfibre insert and Red accent stitching. Available Red leather-trimmed bucket seats are perfectly positioned to enlist the four-position Alfa DNA Pro Drive Mode Selector. Accentuating its exquisite lines and protecting it at the same time, the available custom-cut Red car cover with Alfa Romeo 4C logo makes a practical yet gorgeous addition.



Incredibly, there are ways to rev up 4C Spider even more. The available Akrapovič dual-mode centre-mounted exhaust with carbon fibre surround makes a memorable audio and visual statement. The available race-inspired carbon fibre mirror covers signal a deep passion for motoring shared by both the owner and Alfa Romeo. Striking available Bi-xenon projector headlamps serve to heighten the looks of the 4C Spider and the surrounding view, with sleek carbon fibre inserts and advanced lighting capability.



DEP
DEALER ePROCESS



DEP
DEALER ePROCESS



DEP
DEALER PROCESS



The influence of high culture

Perhaps it's no coincidence that Alfa Romeo was born in Milan, Italy — the fashion capital of the world. It's a place that understands that the heart must have a say in even the most practical decisions.

The Alfa Romeo 4C Spider continues the Alfa Romeo tradition of performance-oriented lines and proportions. It is inspired by the 1967 Tipo 33 Stradale, which is considered by many to be one of the most beautiful cars ever made. The 4C Spider is just as shapely and offers the classic Alfa Romeo V-shaped "plunging neckline" Scudetto grille. Front and rear overhangs are dramatically short, and dimensions are aerodynamically and dynamically optimized. The famous Alfa Romeo badge confirms what all these visual cues are saying: this is a legitimate sports car.



4C Spider Italia

The Italian design and craftsmanship tradition of Alfa Romeo is further accentuated in this limited-edition model. Features unique to the 4C Spider Italia are Misano Blue Metallic paint, a front air intake in Piano Black and a rear diffuser in Piano Black. Special-edition signatures include a "Spider Italia" graphic on the side panel, an aluminum dashboard insert with "4C Spider Italia" logo and a numbered badge certifying its place in production.



STANDARD

(Select Equipment)

MECHANICAL

1750 Turbocharged I-4
237 hp/258 lb-ft torque engine
6-speed automatic twin-clutch
transmission (TCT)

EXTERIOR

17-/18-inch Bright aluminum wheels
205/45R17 and 235/40R18
3-season tires
Silver brake calipers
Halogen projector headlamps
LED daytime running lamps (DRLs)
and taillamps
Body-colour mirrors with power adjust,
defrost and manual folding
Dual-chrome exhaust tips
Black removable, storable roof
Carbon fibre windshield surround
Front fascia with body-colour vents
Black halo

INTERIOR

Black leather-trimmed seats with
Red accent stitching
Black leather-wrapped flat-bottom
steering wheel
Leather-wrapped dashboard and door
panels with accent stitching
Steering-wheel-mounted paddle shifters
Aluminum pedals and footrest
Console-mounted electric gear selector
Front floor mats with embroidered logo

TECHNOLOGY/SAFETY

Back-up camera²
Rear Park Sensors²
Cruise Control
Sport-tuned suspension
Alfa DNA Pro Drive Mode Selector
7-inch full-colour Thin Film
Transistor (TFT)
AM/FM/HD Radio, iPod®, CD, Bluetooth®
Air conditioning system
Remote keyless entry
Electronic differential

TECHNOLOGY/SAFETY (continued)

Air bags³ — driver and front-passenger,
side front-door and driver inflatable
knee bolster

OPTIONS/PACKAGES

Anti-stone protective film
Carbon Fibre Interior Trim Group
Carbon fibre halo
Bi-xenon headlamps
Black brake calipers
Red brake calipers
Yellow brake calipers
Akrapovič dual-mode exhaust
Black leather-trimmed seats with
Yellow accent stitching
Red leather-trimmed seats with Black
accent stitching
Tobacco leather-trimmed seats with
Brown accent stitching

OPTIONS/PACKAGES (continued)

Black leather-trimmed/microfibre
racing seats with Red or Yellow
accent stitching
Alpine® Premium Audio System
Alfa Romeo battery charger
Alfa Romeo Red car cover
Race-tuned suspension
Carbon fibre mirrors
Carbon fibre Italian flag mirrors
Performance steering wheel, leather-
wrapped with microfibre insert
18-/19-inch Bright 5-hole
aluminum wheels
18-/19-inch Dark 5-hole
aluminum wheels
18-/19-inch Bright fan-spoke
aluminum wheels
18-/19-inch Dark fan-spoke
aluminum wheels
205/40R18 and 235/35R19
Performance tires



TECHNICAL SPECIFICATIONS

ENGINE	
Type	All-aluminum 1750 turbocharged 4-cylinder
Position	Mid-engine
Orientation	Transverse
Displacement (cc)	1742
Maximum power (hp)	237
Maximum torque (lb-ft at rpm)	258 between 2200 & 4250
DRIVING-MODE SELECTOR	
Type	Alfa DNA Pro Drive Mode Selector with Race mode
Positions	All-Weather, Natural, Dynamic, Race
TRANSMISSION	
Gearbox	ALFA TCT with twin clutch, paddle controls and Launch Control
Number of gears	6 + R
Drive	Rear
Differential	Electronic
CHASSIS	
Type	Carbon fibre monocoque
Front suspension	Double-wishbone
Rear suspension	MacPherson
Front brakes (mm)	Dual-cast, cross-drilled, self-ventilated 305 x 28 discs Brembo® fixed 4-piston calipers
Rear brakes (mm)	Cross-drilled, self-ventilated 292 x 22 discs
Standard front tires	205/45R17 3-Season Performance
Standard rear tires	235/40R18 3-Season Performance
STEERING	
Steering box	Rack and pinion
PERFORMANCE	
Acceleration 0 – 60 mph (secs)	4.1
Top speed (km/h)	258
Maximum deceleration under braking (g)	1.25
Maximum lateral acceleration (g)	1.1
CAPACITIES — WEIGHTS	
Curb weight (EPA) (kg)	1128
Fuel tank (L)	40
FUEL ECONOMY	
Est. city/hwy/combined (L/100 km)*	9.7 / 6.9 / 8.4
DIMENSIONS	
Number of seats	2
Length (mm)	3989
Width (mm)	1868
Height (mm)	1186
Wheelbase (mm)	2380
Luggage compartment capacity (L)	105



*Based on 2019MY EnerGuide fuel consumption ratings. Government of Canada test methods used. Your actual fuel consumption will vary based on driving habits and other factors.



Silver brake calipers
Standard



Yellow brake calipers
Available



Red brake calipers
Available



Black brake calipers
Available



18-/19-inch Dark 5-hole aluminum
Available



18-/19-inch Bright 5-hole aluminum
Available



17-/18-inch Bright aluminum
Standard



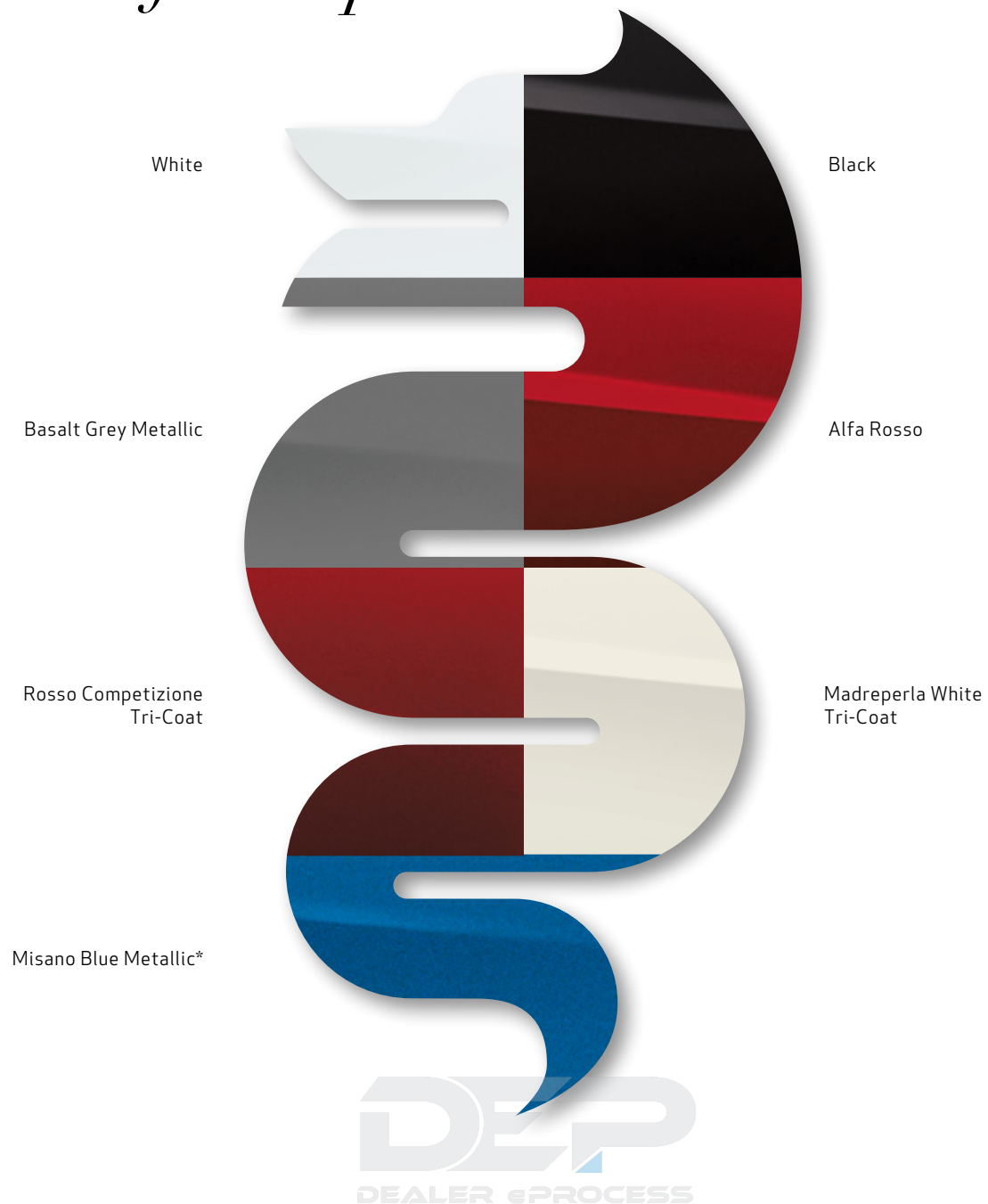
18-/19-inch Bright fan-spoke aluminum
Available



18-/19-inch Dark fan-spoke aluminum
Available



The hues of 4C Spider



*Limited availability.



Black leather trim
with Red accent stitching
Standard



Black leather trim and microfibre
with Red accent stitching
Available



Black/Tobacco leather trim
with Dark Brown accent stitching
Available



Black leather trim
with Yellow accent stitching
Available



Black leather trim and microfibre
with Yellow accent stitching
Available



Red leather trim
with Black accent stitching
Available







1. No system can repeal the laws of physics or overcome careless driving actions. Performance is limited by available traction, which snow, ice and other conditions can affect. When the warning lamp flashes, the driver needs to use less throttle and adapt speed and driving behaviour to prevailing road conditions. 2. This is a driver convenience system, not a substitute for active driver involvement. The driver must remain aware of his/her surroundings and be prepared to take corrective action to avoid collisions. 3. The Advanced Front Air Bags in this vehicle are certified to the Federal regulations for Advanced Air Bags. Children 12 years old and younger should always ride buckled up in a rear seat. Infants in rear-facing child restraints should never ride in the front seat of a vehicle with a passenger front air bag. All occupants should always wear their lap and shoulder belts properly.

©2019 FCA Canada Inc. All Rights Reserved. Alfa Romeo and Alfa Romeo 4C Spider are registered trademarks of FCA Group Marketing S.p.A., used with permission.

Alpine and the Alpine logo are registered trademarks of Alpine Electronics, Inc. Bluetooth is a registered trademark of Bluetooth SIG, Inc. Brembo is a registered trademark of Freni Brembo SpA. Facebook and logo are registered trademarks of Facebook, Inc. Instagram is a registered trademark of Instagram, Inc. iPod is a registered trademark of Apple Inc. MacPherson is a registered trademark of MacPherson, Inc. The Twitter logo is a service mark of Twitter, Inc.

This brochure is a publication of FCA Canada Inc. All product illustrations and specifications are based upon current information at the time of publication approval. FCA Canada Inc. reserves the right to make changes from time to time, without notice or obligation, in prices, specifications, colours and materials, and to change or discontinue models which are considered necessary to the purpose of product improvements or for reasons of design and/or marketing.